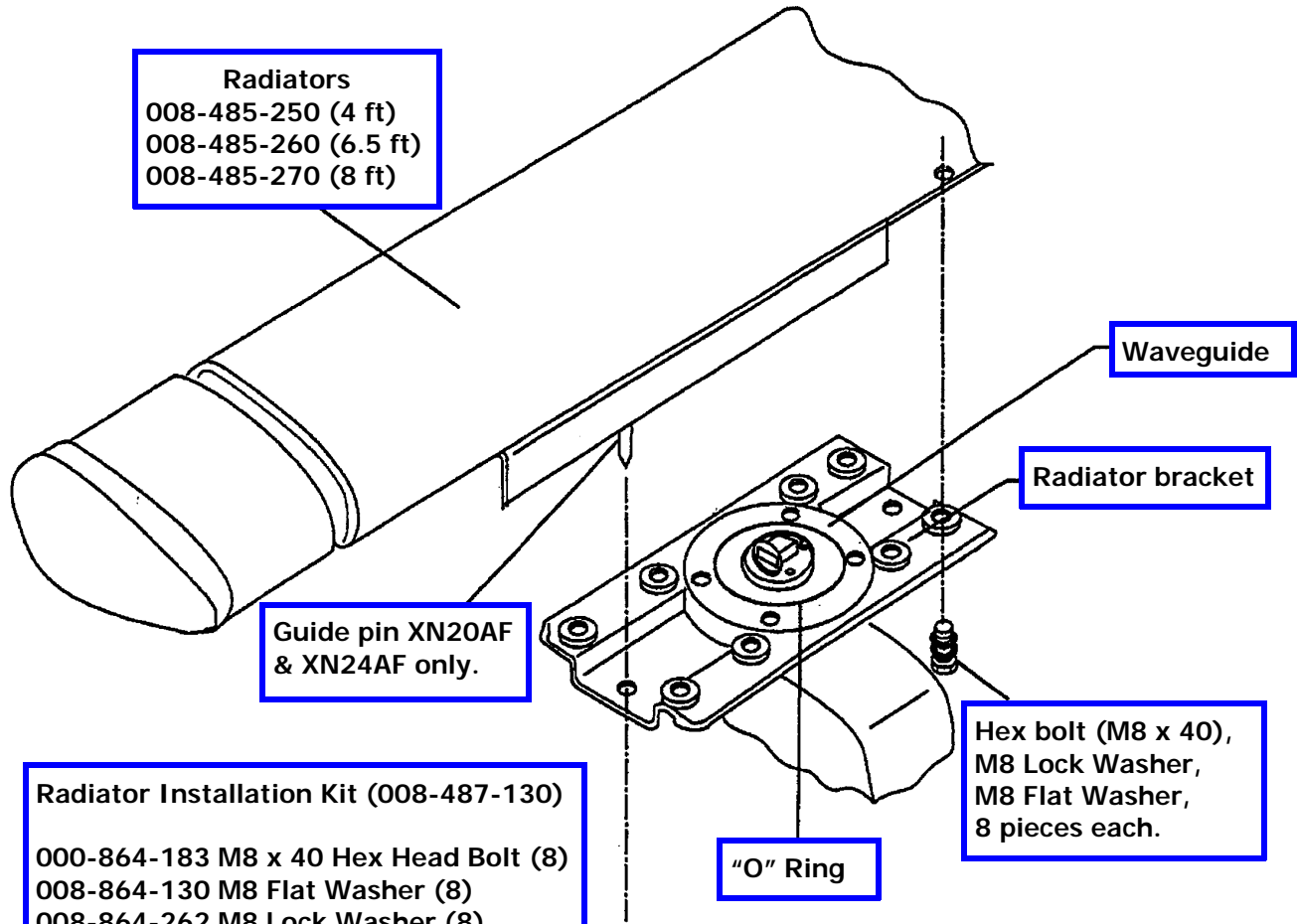


**XN12AF/4
XN20AF/6.5
XN24AF/8**



Radiators
008-485-250 (4 ft)
008-485-260 (6.5 ft)
008-485-270 (8 ft)

Waveguide

Radiator bracket

**Guide pin XN20AF
& XN24AF only.**

**Hex bolt (M8 x 40),
M8 Lock Washer,
M8 Flat Washer,
8 pieces each.**

"O" Ring

Radiator Installation Kit (008-487-130)
000-864-183 M8 x 40 Hex Head Bolt (8)
008-864-130 M8 Flat Washer (8)
008-864-262 M8 Lock Washer (8)
000-854-118 3 bond Silicone Seal (1)
Guide Pins (2)
"O" Rings (2)